

## GD4 Security Budget Latch

### Features

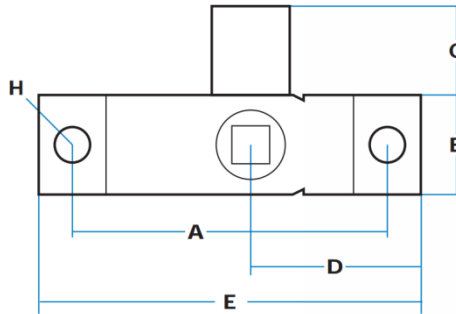
- With same dimensions as the 'Universal' model, this design has a forged brass bolt to provide a blind, dust-proof centre which requires a special security key to operate
- Striker plate **G00749** sold separately

### Material

- Body: steel, zinc plated
- Bolt: Brass

### Notes

- Security key **G00089** sold separately



Part No.	A	B	C	D	E	H	Thickness
GD4-G00088	66	22	18	38	85	7	10

## GD4 Bridge Budget Latch

### Features

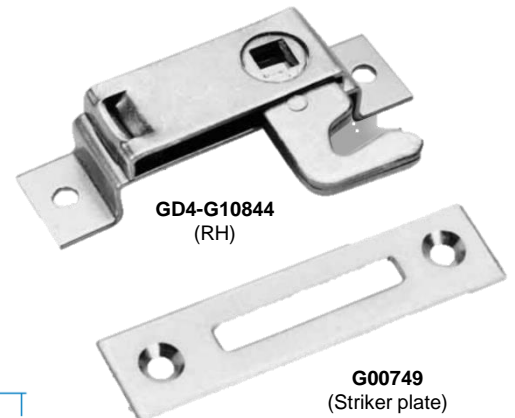
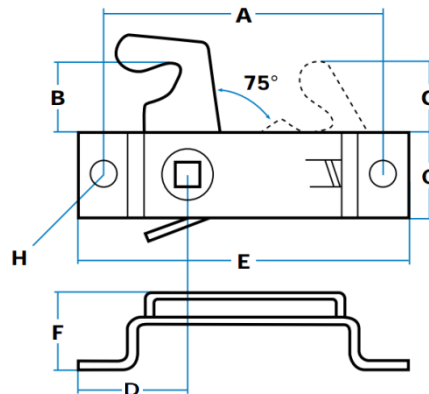
- Mounted on a 'bridge' plate, this model gives extra clearance from the fixing surface
- Hook gives a positive 'hold-down' against a stud or pin

### Material

- Steel, zinc plated

### Notes

- Latch is handed
- Hooked bolt does not completely withdraw into the case
- Striker plate **G00749** sold separately



Part No.	Type	A	B	C	D	E	F	G	H
GD4-G10843	LH	76	20	22	31	90	21	22	5.5
GD4-G10844	RH								